

## Holders for Suction Cups HT-SG E

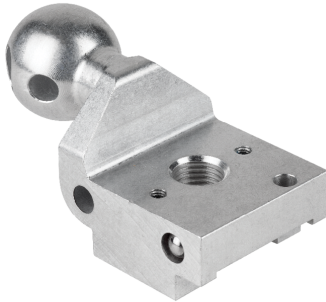
Suction cup connection for G-, NPT-, M-threads and rectangular adapters



### Suitability for industry specific applications

#### Application

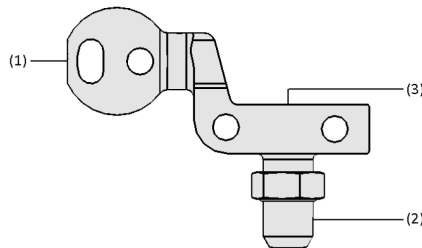
- Holder for mounting suction cups on tooling beams
- For vacuum suction cups with connectors for G, NPT and M threads and right-angled adapters
- For decentralised vacuum generators with high blow-off capacity, therefore ideal for use in press shop applications
- Suitable for use in existing systems with decentralized vacuum generators of the type SEAC due to the uncomplicated integration of the holder



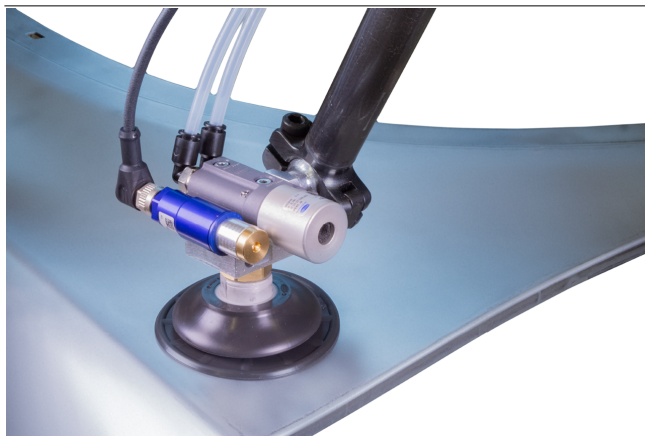
Holders for Suction Cups HT-SG E

#### Design

- Version HT-SG...E (external vacuum generation)
- Connection for tooling beams: Ball (A3:  $\varnothing$  28.5 mm; A5:  $\varnothing$  32 mm) or "Apple-Core" cylinder (A2:  $\varnothing$  19 mm) (1)
- Connection for vacuum suction cups (2), vacuum switches and decentralized vacuum generator of type SEAC (3)
- Optional: Connection for external vacuum generator (3) instead of vacuum generator type SEAC



System design Holders for Suction Cups HT-SG E



Holders for suction cup HT-SG E with vacuum switch VSi when handling a moulded car body part

#### Product highlights

- Flexible use on tooling traverses, fast exchange and short set-up times
- Thanks to lightweight aluminium construction suitable for dynamic processes and high throughputs
- Versatile use for vacuum suction cups with various G, NPT, M threads and rectangular adapters (quick-change system)
- Customer-specific configuration, including decentralised vacuum generators, sensors and suction cups

# Holders for Suction Cups HT-SG E

Suction cup connection for G-, NPT-, M-threads and rectangular adapters

## Designation code Holders for Suction Cups HT-SG E



### 1 – Abbreviated designation

Code	Type
HT-SG	Holder for suction cup, external vacuum generation

### 2 – Tooling connection

Code	Connection in mm
A2	ø 19, pin
A3	ø 28.5, ball
A5	ø 32, ball

### 3 – Shape

Code	Version
E	Ejector connection

### 4 – Width

Code	Width in mm
35	35
46	46

### 5 – Suction cup connection

Code	Connection
G 1/4-AG	G1/4-AG (AG = male (M))
G 1/4-IG	G1/4-IG (IG = female (F))
G 3/8-AG	G3/8-AG
M 10-IG	M10-IG
M 14x1.5-IG	M14x1.5-IG
M 16x1.5-IG	M16x1.5-IG
NPT 1/4-AG	NPT1/4-AG
NPT 3/8-AG	NPT3/8-AG
RA	Right-angled adapter

The holders for suction cups HT-SG E are delivered as a ready-to-connect product.

Available accessories: Mounting kit

## Holders for Suction Cups HT-SG E

Suction cup connection for G-, NPT-, M-threads and rectangular adapters

### Ordering data Holders for Suction Cups HT-SG E

Type	Part no.
HT-SG A2 E 35 G1/4-AG	10.07.06.00435
HT-SG A2 E 35 G1/4-IG	10.07.06.00456
HT-SG A2 E 35 G3/8-AG	10.07.06.00441
HT-SG A2 E 35 M10-IG	10.07.06.00459
HT-SG A2 E 35 M14x1.5-IG	10.07.06.00462
HT-SG A2 E 35 M16x1.5-IG	10.07.06.00465
HT-SG A2 E 35 NPT1/4-AG	10.07.06.00438
HT-SG A2 E 35 NPT3/8-AG	10.07.06.00443
HT-SG A2 E 46 RA	10.07.06.00431
HT-SG A3 E 35 G1/4-AG	10.07.06.00338
HT-SG A3 E 35 G1/4-IG	10.07.06.00454
HT-SG A3 E 35 G3/8-AG	10.07.06.00340
HT-SG A3 E 35 M10-IG	10.07.06.00457
HT-SG A3 E 35 M14x1.5-IG	10.07.06.00460
HT-SG A3 E 35 M16x1.5-IG	10.07.06.00463
HT-SG A3 E 35 NPT1/4-AG	10.07.06.00436
HT-SG A3 E 35 NPT3/8-AG	10.07.06.00439
HT-SG A3 E 46 RA	10.07.06.00332
HT-SG A5 E 35 G1/4-AG	10.07.06.00434
HT-SG A5 E 35 G1/4-IG	10.07.06.00455
HT-SG A5 E 35 G3/8-AG	10.07.06.00440
HT-SG A5 E 35 M10-IG	10.07.06.00458
HT-SG A5 E 35 M14x1.5-IG	10.07.06.00461
HT-SG A5 E 35 M16x1.5-IG	10.07.06.00464
HT-SG A5 E 35 NPT3/8-AG	10.07.06.00442
HT-SG A5 E 35 NPT1/4-AG	10.07.06.00437
HT-SG A5 E 46 RA	10.07.06.00430

### Ordering data Accessories Holders for Suction Cups HT-SG E

Accessories	Part no.
Mounting set   SET HT-SG..E VSi-HD M4x12	10.07.06.00642
Mounting set   SET HT-SG..E VSi-HD M4x30	10.07.06.00640

## Holders for Suction Cups HT-SG E

Suction cup connection for G-, NPT-, M-threads and rectangular adapters

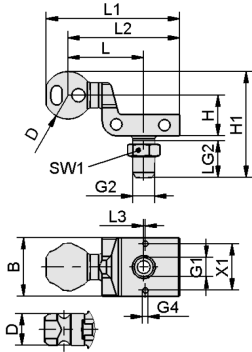
### Technical data Holders for Suction Cups HT-SG E

Type	Weight [g]
HT-SG A2 E 35 G1/4-AG	83
HT-SG A2 E 35 G1/4-IG	82
HT-SG A2 E 35 G3/8-AG	93
HT-SG A2 E 35 NPT1/4-AG	77
HT-SG A2 E 35 NPT3/8-AG	80
HT-SG A2 E 35 M10-IG	83
HT-SG A2 E 35 M14x1.5-IG	81
HT-SG A2 E 35 M16x1.5-IG	80
HT-SG A2 E 46 RA	94
HT-SG A3 E 35 G1/4-AG	97
HT-SG A3 E 35 G1/4-IG	95
HT-SG A3 E 35 G3/8-AG	105
HT-SG A3 E 35 NPT1/4-AG	90
HT-SG A3 E 35 NPT3/8-AG	94
HT-SG A3 E 35 M10-IG	97
HT-SG A3 E 35 M14x1.5-IG	95
HT-SG A3 E 35 M16x1.5-IG	93
HT-SG A3 E 46 RA	108
HT-SG A5 E 35 G1/4-AG	108
HT-SG A5 E 35 G1/4-IG	107
HT-SG A5 E 35 G3/8-AG	118
HT-SG A5 E 35 NPT1/4-AG	102
HT-SG A5 E 35 NPT3/8-AG	105
HT-SG A5 E 35 M10-IG	108
HT-SG A5 E 35 M14x1.5-IG	107
HT-SG A5 E 35 M16x1.5-IG	105
HT-SG A5 E 46 RA	126

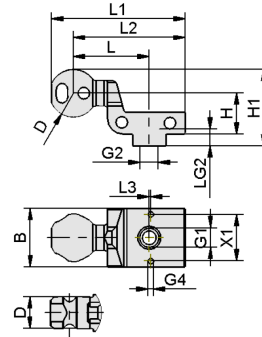
# Holders for Suction Cups HT-SG E

Suction cup connection for G-, NPT-, M-threads and rectangular adapters

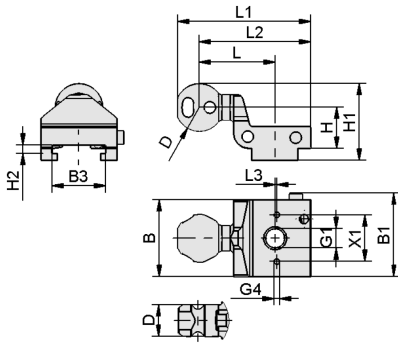
Design data Holders for Suction Cups HT-SG E



HT-SG E AG



HT-SG E IG



HT-SG E RA

## Holders for Suction Cups HT-SG E

Suction cup connection for G-, NPT-, M-threads and rectangular adapters

### Design data Holders for Suction Cups HT-SG E

Type	B [mm]	B1 [mm]	B3 [mm]	D [mm]	G1	G2		H [mm]	H1 [mm]	H2 [mm]	L [mm]	L1 [mm]	L2 [mm]	L3 [mm]	LG2 [mm]	SW1 [mm]	X1 [mm]
HT-SG A2 E 35 G1/4- AG	35	-	-	19.0	G1/4"-F	G1/4"-M	M4-F	24.5	59	-	39.3	73	61	1	22	17	28
HT-SG A2 E 35 G1/4-IG	35	-	-	19.0	G1/4"-F	G1/4"-F	M4-F	24.5	42	-	39.3	73	61	1	21	-	28
HT-SG A2 E 35 G3/8- AG	35	-	-	19.0	G1/4"-F	G3/8"-M	M4-F	24.5	59	-	39.3	73	61	1	22	22	28
HT-SG A2 E 35 NPT1/4- AG	35	-	-	19.0	G1/4"-F	NPT1/4-M	M4-F	24.5	52	-	39.3	73	61	1	15	-	28
HT-SG A2 E 35 NPT3/8- AG	35	-	-	19.0	G1/4"-F	NPT3/8-M	M4-F	24.5	52	-	39.3	73	61	1	15	-	28
HT-SG A2 E 35 M10-IG	35	-	-	19.0	G1/4"-F	M10-F	M4-F	24.5	42	-	39.3	73	61	1	9	-	28
HT-SG A2 E 35 M16x1.5- IG	35	-	-	19.0	G1/4"-F	M16x1.5-F	M4-F	24.5	42	-	39.3	73	61	1	10	-	28
HT-SG A2 E 35 M14x1.5- IG	35	-	-	19.0	G1/4"-F	M14x1.5-F	M4-F	24.5	42	-	39.3	73	61	1	10	-	28
HT-SG A2 E 46 RA	46	50	32	19.0	G1/4"-F	-	M4-F	24.5	42	4.8	39.3	73	61	1	-	-	28
HT-SG A3 E 35 G1/4- AG	35	-	-	28.5	G1/4"-F	G1/4"-M	M4-F	24.5	64	-	45.5	80	67	1	22	17	28
HT-SG A3 E 35 G1/4-IG	35	-	-	28.5	G1/4"-F	G1/4"-F	M4-F	24.5	46	-	45.5	80	67	1	21	-	28
HT-SG A3 E 35 G3/8- AG	35	-	-	28.5	G1/4"-F	G3/8"-M	M4-F	24.5	64	-	45.5	80	67	1	22	22	28
HT-SG A3 E 35 NPT1/4- AG	35	-	-	28.5	G1/4"-F	NPT1/4-M	M4-F	24.5	57	-	45.5	80	67	1	15	-	28
HT-SG A3 E 35 NPT3/8- AG	35	-	-	28.5	G1/4"-F	NPT3/8-M	M4-F	24.5	57	-	45.5	80	67	1	15	-	28
HT-SG A3 E 35 M10-IG	35	-	-	28.5	G1/4"-F	M10-F	M4-F	24.5	46	-	45.5	80	67	1	9	-	28
HT-SG A3 E 35 M14x1.5- IG	35	-	-	28.5	G1/4"-F	M14x1.5-F	M4-F	24.5	46	-	45.5	80	67	1	10	-	28
HT-SG A3 E 35 M16x1.5- IG	35	-	-	28.5	G1/4"-F	M16x1.5-F	M4-F	24.5	46	-	45.5	80	67	1	10	-	28
HT-SG A3 E 46 RA	46	50	32	28.5	G1/4"-F	-	M4-F	24.5	46	4.8	45.5	80	67	1	-	-	28
HT-SG A5 E 35 G1/4- AG	35	-	-	32.0	G1/4"-F	G1/4"-M	M4-F	24.5	66	-	45.5	82	67	1	22	17	28

## Holders for Suction Cups HT-SG E

Suction cup connection for G-, NPT-, M-threads and rectangular adapters

Type	B [mm]	B1 [mm]	B3 [mm]	D [mm]	G1	G2		H [mm]	H1 [mm]	H2 [mm]	L [mm]	L1 [mm]	L2 [mm]	L3 [mm]	LG2 [mm]	SW1 [mm]	X1 [mm]
HT-SG A5 E 35 G1/4-IG	35	-	-	32.0	G1/4"-F	G1/4"-F	M4-F	24.5	48	-	45.5	82	67	1	21	-	28
HT-SG A5 E 35 G3/8-AG	35	-	-	32.0	G1/4"-F	G3/8"-M	M4-F	24.5	66	-	45.5	82	67	1	22	22	28
HT-SG A5 E 35 M10-IG	35	-	-	32.0	G1/4"-F	M10-F	M4-F	24.5	48	-	45.5	82	67	1	9	-	28
HT-SG A5 E 35 M14x1.5-IG	35	-	-	32.0	G1/4"-F	M14x1.5-F	M4-F	24.5	48	-	45.5	82	67	1	10	-	28
HT-SG A5 E 35 M16x1.5-IG	35	-	-	32.0	G1/4"-F	M16x1.5-F	M4-F	24.5	48	-	45.5	82	67	1	10	-	28
HT-SG A5 E 35 NPT1/4-AG	35	-	-	32.0	G1/4"-F	NPT1/4-M	M4-F	24.5	59	-	45.5	82	67	1	15	-	28
HT-SG A5 E 35 NPT3/8-AG	35	-	-	32.0	G1/4"-F	NPT3/8-M	M4-F	24.5	59	-	45.5	82	67	1	15	-	28
HT-SG A5 E 46 RA	46	50	32	32.0	G1/4"-F	-	M4-F	24.5	48	4.8	45.5	82	67	1	-	-	28